

AXOR Starck X
Single lever bath mixer for exposed installation
Surfaces: **Chrome** Article Number: **10402000**



Description

product features

- consists of: Single lever bath mixer, baton hand shower, shower hose, shower holder
- projection 144 - 148 mm
- connection type: s-shaped connections
- centre distance: 150 ± 12 mm
- spray type mixer: wide flood jet
- spray type hand shower: Rain, MonoRain
- flow rate at 3 bar: 22 l/min
- ceramic cartridge
- min. operating pressure: 1 bar
- max. operating pressure: 10 bar
- temperature limitation adjustable
- with automatic resetting
- non-return valve
- with silencer
- suitable for continuous flow water heaters
- connection dimension: DN15
- PA-IX 9987/IIOB
- ACS 18 ACC NY 364, valide jusqu'au 08.10.2023
- JWWA C-279
- Kiwa K6161_Mechanical Mixers EN817

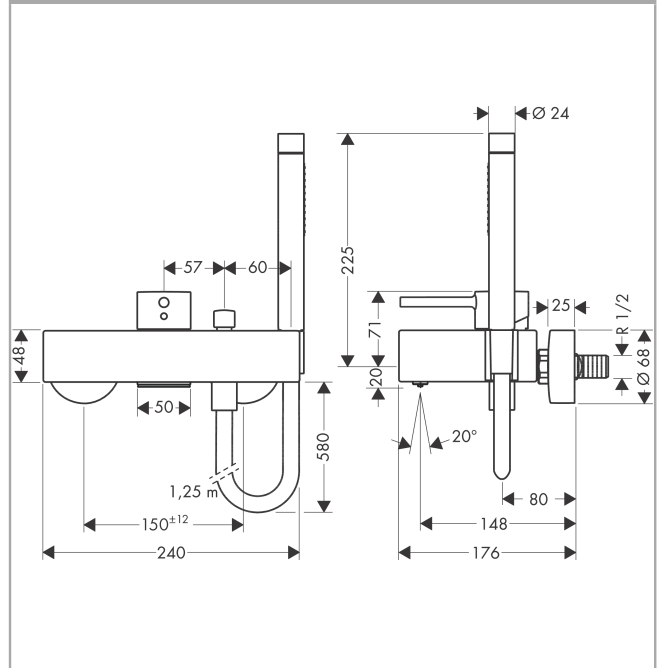
AXOR Starck X
Single lever bath mixer for exposed installation
 Surfaces: **Chrome** Article Number: **10402000**



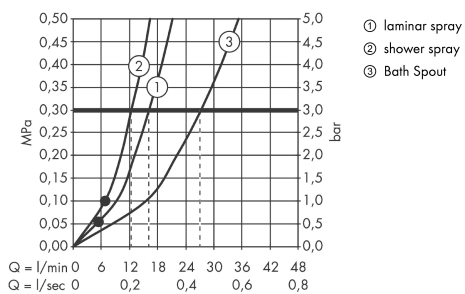
Product image



Scale drawing



Flowchart



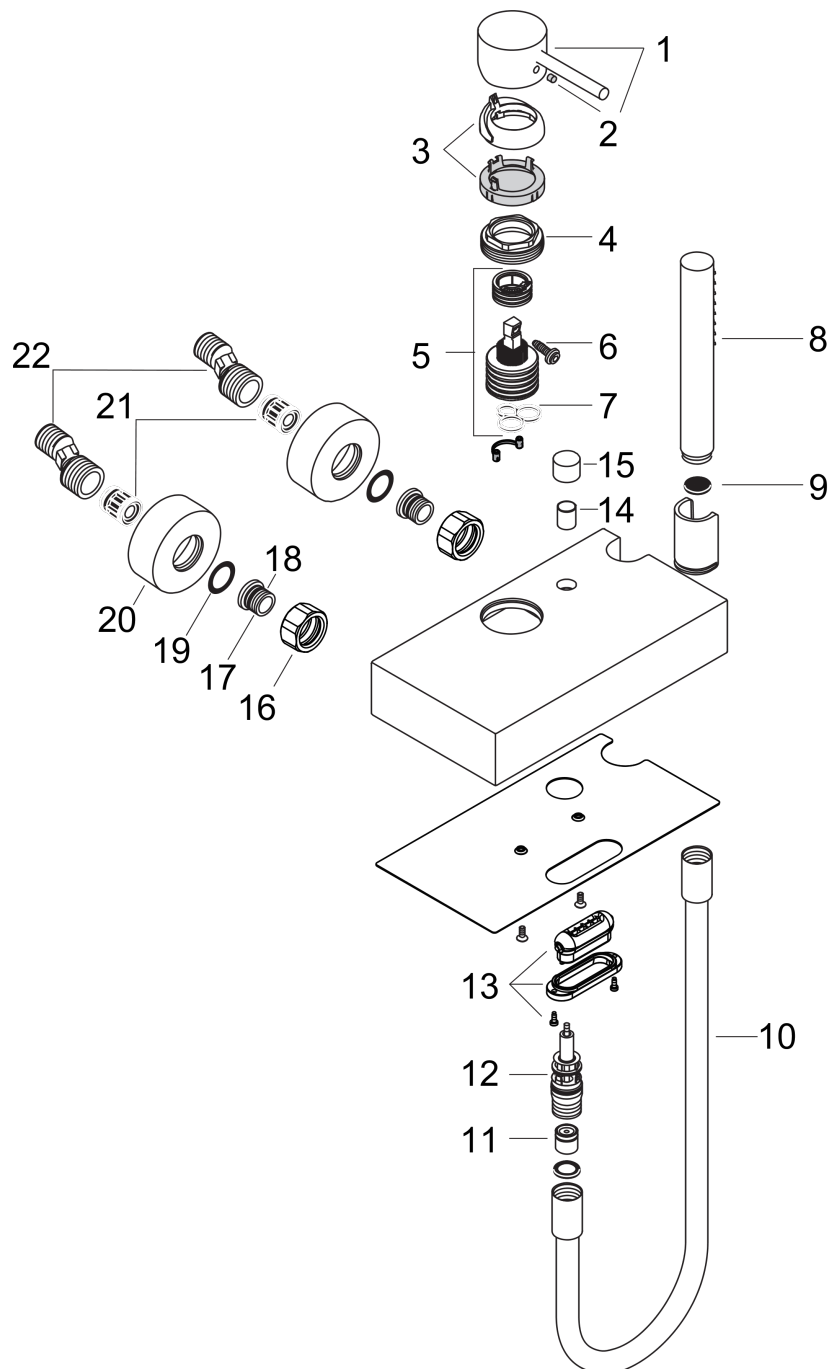
The consumption was measured in combination with the appropriate fittings (thermostat/mixer/in-wall valve) to reflect actual application in practice.

AXOR Starck X
Single lever bath mixer for exposed installation
Surfaces: **Chrome** Article Number: **10402000**



Exploded Drawing

Year of production: >05/09



AXOR Starck X
Single lever bath mixer for exposed installation
 Surfaces: **Chrome** Article Number: **10402000**



Spare part list

Year of production: >05/09

Pos.	Description	Article Number	PC	PU
1	handle	10490000	14	1
2	screw cover	96338000	1	1
3	flange (Rotating Protector)	96395000	9	1
4	nut	96461000	8	1
5	cartridge, assy	92730000	11	1
6	locking screw for handle	95140000	2	1
7	seal	95008000	3	1
8	handshower	28532000	98	1
9	filter packing	94246000	1	1
10	shower hose 1,25 m	28282000	98	1
11	set of non return valves DW 15	94074000	5	1
12	selector assy	94077000	9	1
13	spout body	97467000	5	1
14	sleeve	97738000	2	1
15	diverter knob	96466000	5	1
16	set of nuts	96157000	8	1
17	connecting thread	97220000	5	1
18	O-ring 15x2	98163000	1	1
19	filter packing	96922000	3	1
20	escutcheon Ø 68 mm	96467000	6	1
21	noise reduction	96429000	2	1
22	set of S-unions (±12 mm)	94140000	10	1
a	set of S-unions (±32 mm)	98592000	9	1
b	diverter fixing device	97211000	1	1